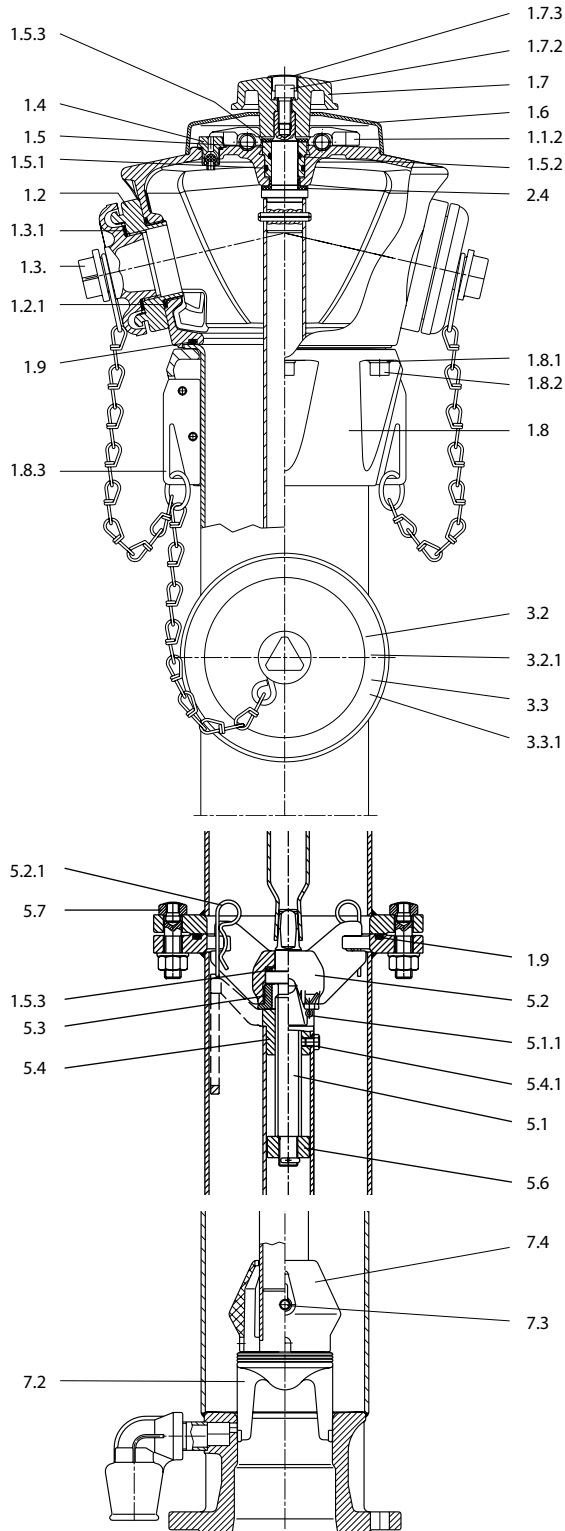


Above-ground hydrant Part list

514-00, 515-00, 519-00



| Item | Description |
|-------|---|
| 1.1.2 | Screw holder |
| 1.2 | B stationary coupling |
| 1.2 | C stationary coupling |
| 1.2.1 | O-ring for B coupling |
| 1.2.1 | O-ring for C coupling |
| 1.3 | Cap for B coupling |
| 1.3 | Cap for C coupling |
| 1.3.1 | Gasket for B cap |
| 1.3.1 | Gasket for C cap |
| 1.4 | Vent valve |
| 1.5 | O-ring support |
| 1.5.1 | O-ring |
| 1.5.2 | O-ring |
| 1.5.3 | Sliding disc |
| 1.6 | Hood |
| 1.7 | Control cap |
| 1.7.2 | Hexagon socket screw |
| 1.7.3 | Gasket plug |
| 1.8 | Clamping ring |
| 1.8.1 | Washer |
| 1.8.2 | Hexagon socket screw |
| 1.8.3 | Grounding clip |
| 1.9 | O-ring |
| 2.4 | Collar sliding disc |
| 3.2 | A stationary coupling |
| 3.2 | B stationary coupling |
| 3.2.1 | O-ring for A coupling |
| 3.2.1 | O-ring for B coupling |
| 3.3 | Cap for A coupling |
| 3.3 | Cap for B coupling |
| 3.3.1 | Gasket for A cap |
| 3.3.1 | Gasket for B cap |
| 5.1 | Spindle |
| 5.1.1 | Splint |
| 5.2 | Spindle support |
| 5.2.1 | Spring cotter |
| 5.3 | Locking screw |
| 5.4 | Spindle nut |
| 5.4.1 | Hexagon head bolt |
| 5.6 | Stop nut |
| 5.7 | Hexagon head bolt with predetermined breaking point |
| 7.2 | Poppet |
| 7.3 | Retaining pin |
| 7.4 | Flow encoder |