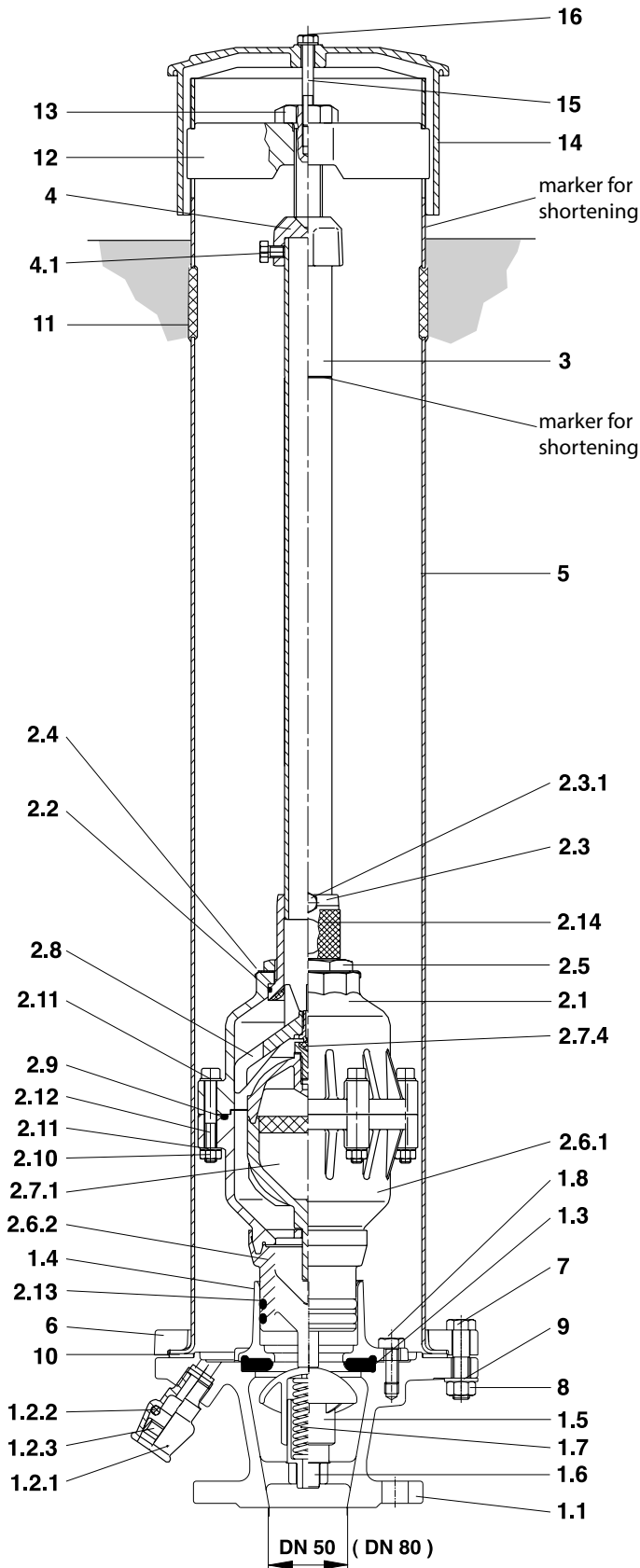


Air valve set 2"

Part list

992-02



Nr.	Description	Material
1.1	Base	GJS-400
1.2.1	Fitting	GJS-400
1.2.2	O-ring	EPDM
1.2.3	Grip ring	POM
1.3	Gasket	EPDM
1.4	gasket flange	Rg 7
1.5	gasket tappet	POM
1.6	Spring retainer	POM
1.7	pressure spring	stainless steel
1.8	hexagon hold bolt M 10 x 35	stainless steel
2.1	Body - bonnet	POM
2.2	O-Ring	EPDM
2.3	gasket seat	Messing / EPDM
2.3.1	Hexagon head bolt M 8 x 12	stainless steel
2.4	Locking plate	stainless steel
2.5	Lock nut	Messing
2.6.1	Bottom part of body	POM
2.6.2	Ventilation support	POM
2.7.1	Schwimmerkugel komplett PN 6/16	POM / EPDM
2.7.4	sealing screw	stainless steel
2.8	sealing cap complete	POM / EPDM
2.9	O-ring 116 x 4	EPDM
2.10	hexagon nut	stainless steel
2.11	disc	stainless steel
2.12	hexagon socket screw	stainless steel
2.13	O-ring 60 x 6	EPDM
2.14	insect screens	stainless steel
3	operating bar	stainless steel
4	cap	GJS-400
4.1	hexagon screw M 8 x 12	stainless steel
5	standpipe	stainless steel
6	clamping ring	GJS-400
7	hexagon screw M 12 x 50	stainless steel
8	hexagon nut M 12	stainless steel
9	disc	stainless steel
10	gasket	EPDM
11	cover	EPDM
12	yoke /spindel holder	GJS-400
13	operating screw	stainless steel
14	cap	PE
15	hexagon screw M 8 x 60	stainless steel
16	disc	stainless steel